



LAVANTUS® AIR DUCT FOR UNDERGROUND INSTALLATION SUPPLIES

“Everything from one provider”!
You find all materials in our supplies to install a complete duct system professionally.

The supplies are – depending on the application – functionally combinable. We like to advise you on the ideal combination of your components and the material!

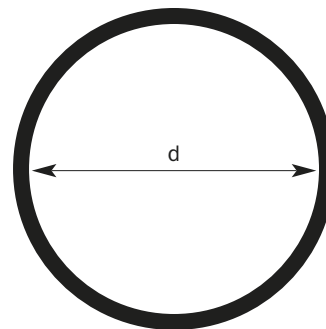
Content	Page
LavantusGrip-cuff	5.13
Ring seal	5.14
Wall collar	5.15
End stopper	5.16

Personal consulting: +49 2505 – 93 829 0

LAVANTUS® Supplies

LavantusGrip-cuff

A stable, tight connection of the LAVANTUS® air ducts.



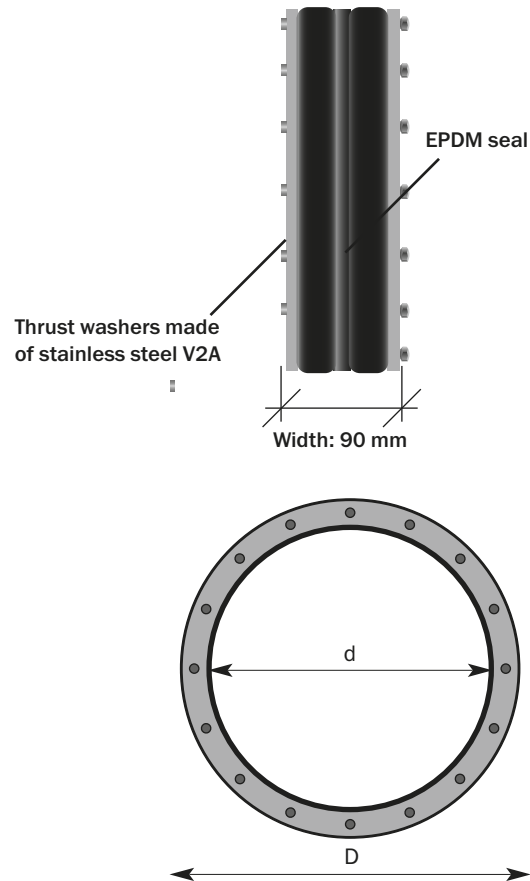
Duct diameter and the according size of the LavantusGrip-cuff

LAVANTUS® – underground installed air ducts		LavantusGrip cuff, width 190 mm	
nominal diameter in mm	outside diameter in mm	d in mm	item no.
200	270	275	L052003520
250	320	325	L052503520
300	370	375	L053003520
355	455	460	L053555020
400	500	505	L054005020
500	600	605	L055005020
600	700	705	L056005020
710	810	815	L057105020
800	900	905	L058005020
900	1000	1005	L059005020
1000	1100	1105	L0510005020
1250	1370	1375	L0512506020

LAVANTUS® Supplies

Ring seal

The clean solution to run the air duct through the brickwork, walls and floor plate



Duct diameter and the according size of the ring seal

LAVANTUS® – underground installed air ducts		LAVANTUS® ring seal		
nominal diameter in mm	outside diameter in mm	d in mm	D in mm (core drilling)	item no.
200	270	282	350	L012003502
250	320	324	400	L012503502
300	370	376	500	L013003502
355	455	465	600	L013555002
400	500	516	600	L014005002
500	600	606	700	L015005002
600	700	708	800	L016005002
710	810	818	900	L017105002
800	900	908	1000	L018005002
900	1000	1008	1100	L019005002
1000	1100	1108	1200	L0110005002
1250	1370	1378	1500	L0112506002

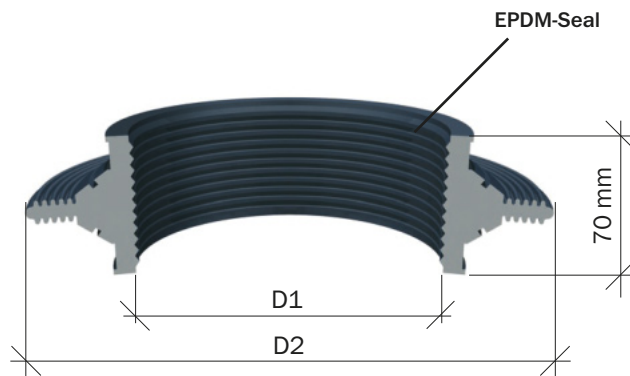
LAVANTUS® Supplies

Wall collar

The clean solution to run the air duct through the brickwork, walls and floor plate

Tightening straps are included.

The wall collar is TÜV audited up to 8 bar.

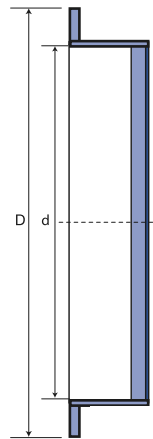


Duct diameter and the according size of the LAVANTUS® wall collar

LAVANTUS® – underground installed air ducts		LAVANTUS® wall collar		
nominal diameter d in mm	D in mm	D1 in mm	D2 in mm	item no.
200	270	265	359	L032003502
250	320	315	409	L032503502
300	370	365	459	L033003502
355	455	450	544	L033555002
400	500	495	589	L034005002
500	600	595	689	L035005002
600	700	695	789	L036005002
710	810	805	899	L037105002
800	900	895	989	L038005002
900	1000	995	1089	L039005002
1000	1100	1095	1189	L0310005002
1250	1370	1365	1459	L0312506002

LAVANTUS® Supplies

End stopper



d = nominal diameter (Inside diameter)
D = Outside diameter

Duct diameter and the according size of the end stopper

LAVANTUS® – underground installed air ducts		End stopper		
nominal diameter d in mm	D in mm	d in mm	D in mm	item no.
200	270	197	275	L202003502
250	320	247	325	L202503502
300	370	297	375	L203003502
355	455	352	460	L203555002
400	500	397	505	L204005002
500	600	497	605	L205005002
600	700	597	705	L206005002
710	810	707	815	L207105002
800	900	797	905	L208005002
900	1000	897	1005	L209005002
1000	1100	997	1105	L2010005002



VENTAFLEX®

More efficiency in air conduction

VENTAFLEX GmbH & Co. KG

Siemensstraße 46

D-48341 Altenberge

Fon +49 25 05 – 93 829 0

Fax +49 25 05 – 93 829 - 10

info@ventaflex.de

www.ventaflex.de