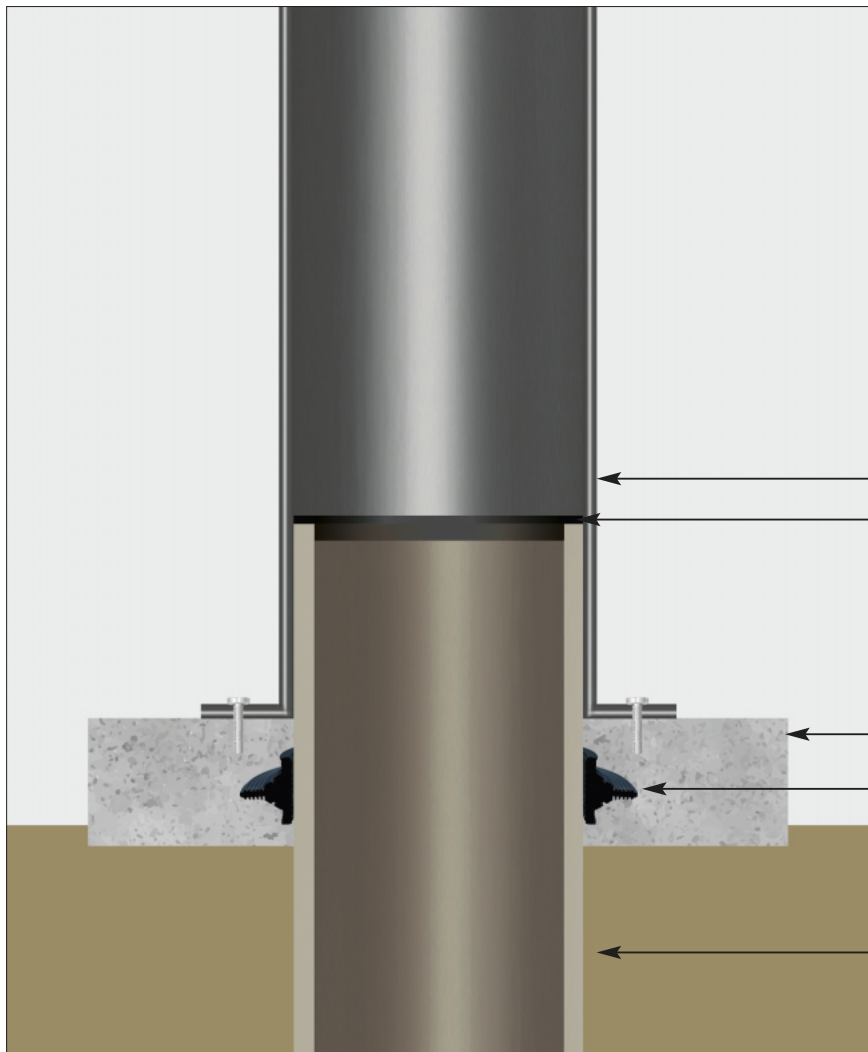




VENTAFLEX®

More efficiency in air conduction



There are many different possibilities to connect an air duct to ventilation towers. This exemplary illustration shows the installation of the LAVANTUS® air duct to a ventilation tower by inserting it through a wall collar in the base plinth. (see installation instruction wall collar). In the example the ventilation tower is put on the protruding end of the air duct and attached to the base plinth.

ventilation tower

connecting ring

base plinth

wall collar

LAVANTUS® air duct

VENTAFLEX GmbH & Co. KG

Siemensstraße 46

D-48341 Altenberge

Fon +49 25 05 – 93 829 0

Fax +49 25 05 – 93 829 - 10

info@ventaflex.de

www.ventaflex.de

