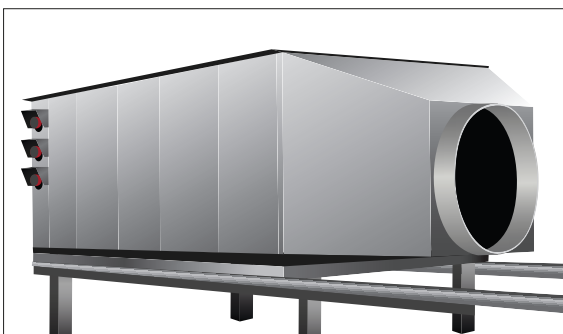
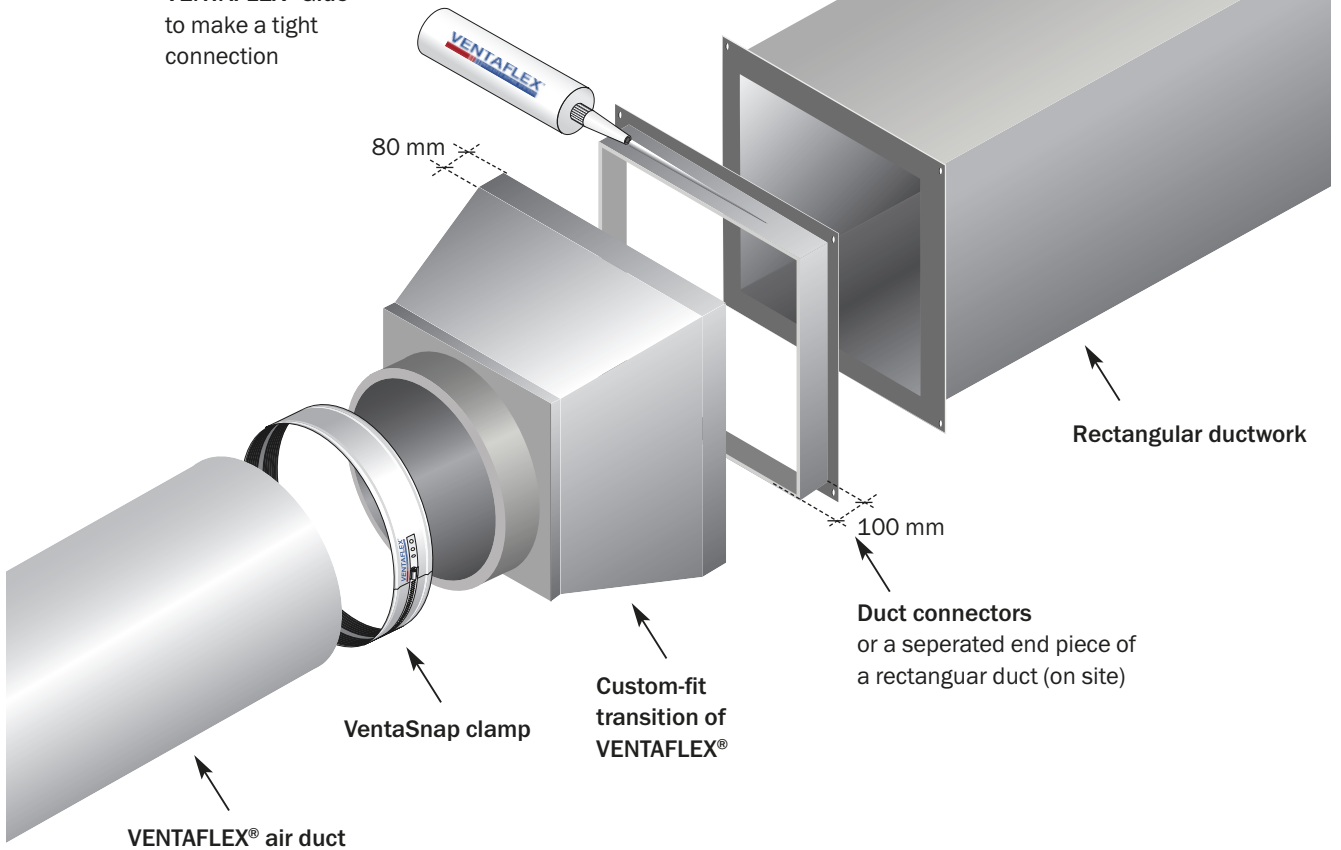


Installation of a tight connection between VENTAFLEX® air duct and rectangular ductwork

Adhesion with VENTAFLEX® Glue to make a tight connection



Also suitable as a connection with transition to the correct dimension for the HVAC systems