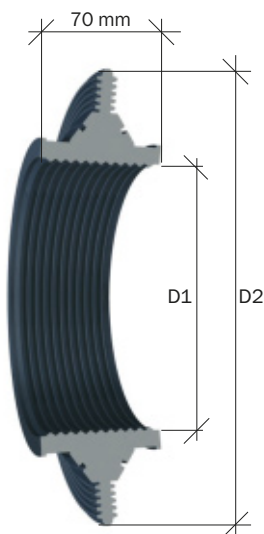


Push the wall collar onto the LAVANTUS® air duct with both clamping rings.

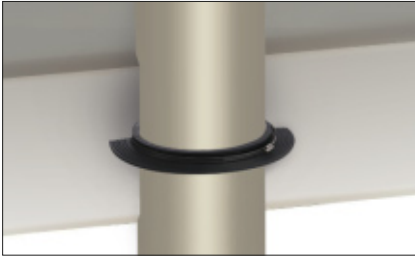
Following this adjust the wall collar according to the structural conditions.

By tightening both clamping rings the wall collar is fixed to the duct.

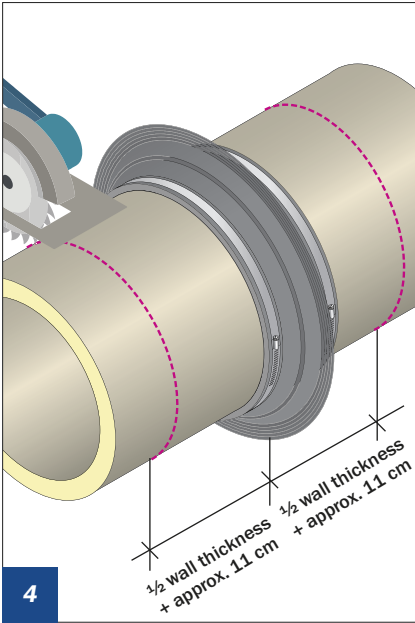
Tip:
Lubricants can be used to make the pushing easier.



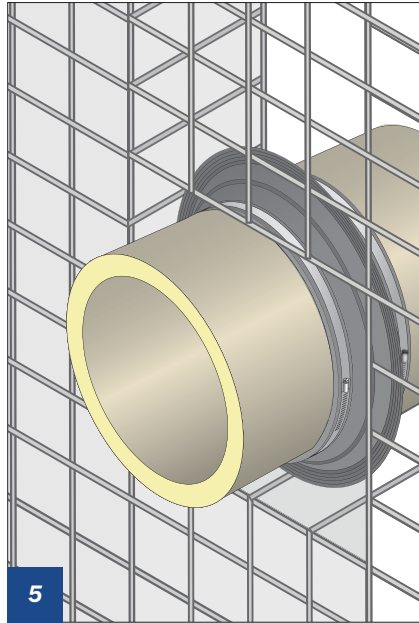
LAVANTUS® – underground installed air duct		LAVANTUS® wall collar	
nominal diameter d mm	duct outside ø mm	D1 inner dimension wall collar ø mm	D2 external dimension wall collar ø mm
200	270	265	359
250	320	315	409
300	370	365	459
355	455	450	544
400	500	495	589
500	600	595	689
600	700	695	789
710	810	805	899
800	900	895	989
900	1000	995	1089
1000	1100	1095	1189
1250	1370	1365	1459



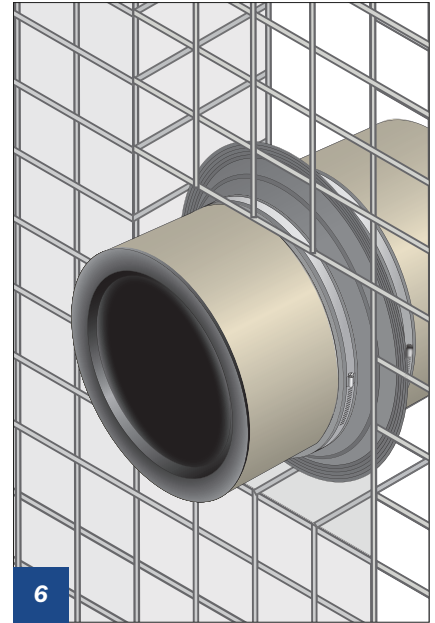
Wall collar in base plate



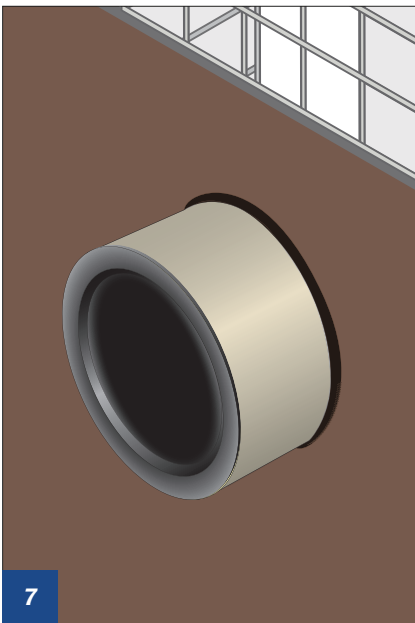
Shorten the duct piece in front of and behind the wall collar and insert it into the reinforcement at appropriate position of the wall.



This way the air duct including the wall duct is placed into the reinforcement, so that it protrudes at least 11 cm on both sides of the completed wall.



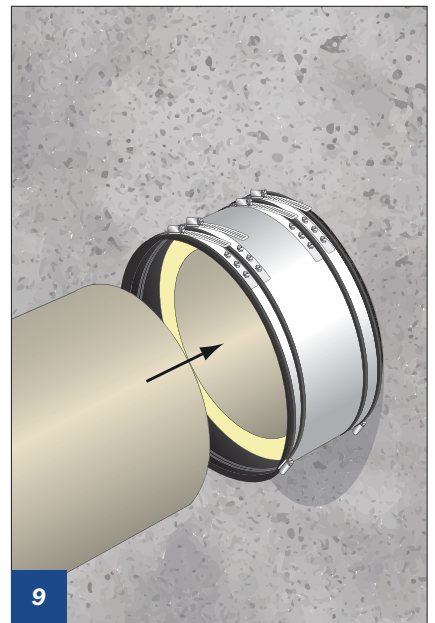
We recommend to protect the duct with an end stopper from damage or soiling during the construction time.



Install the casing with an omission for the duct, backfill it and let it set.



Remove casing and end stopper and slide LavantusGrip-cuff onto the duct after that (see p. 5.20).



Slide pursuing duct into cuff and tighten the tightening straps.