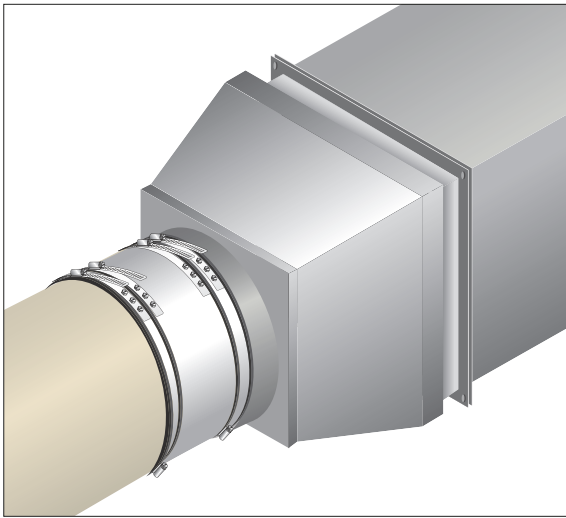
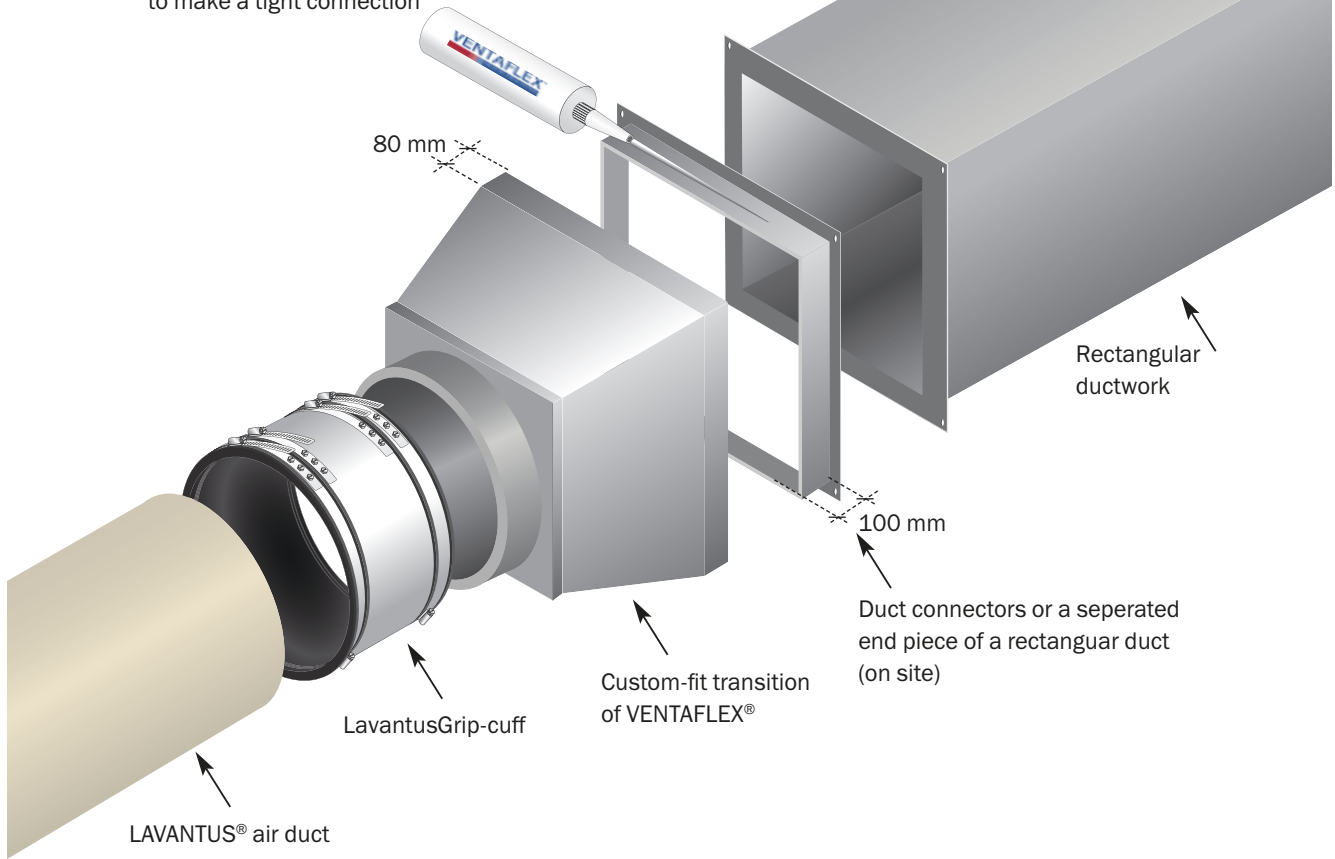


# Transition to rectangular duct work

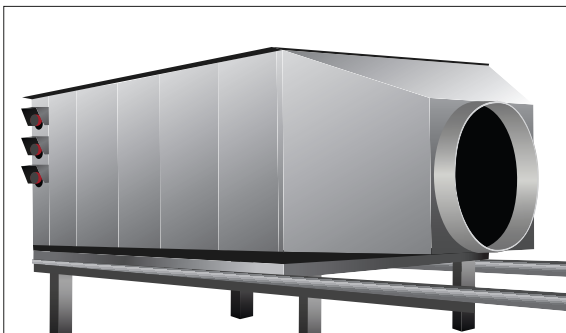


Installation of a tight connection between LAVANTUS® air duct and rectangular ductwork

Adhesion with VENTAFLEX® glue to make a tight connection

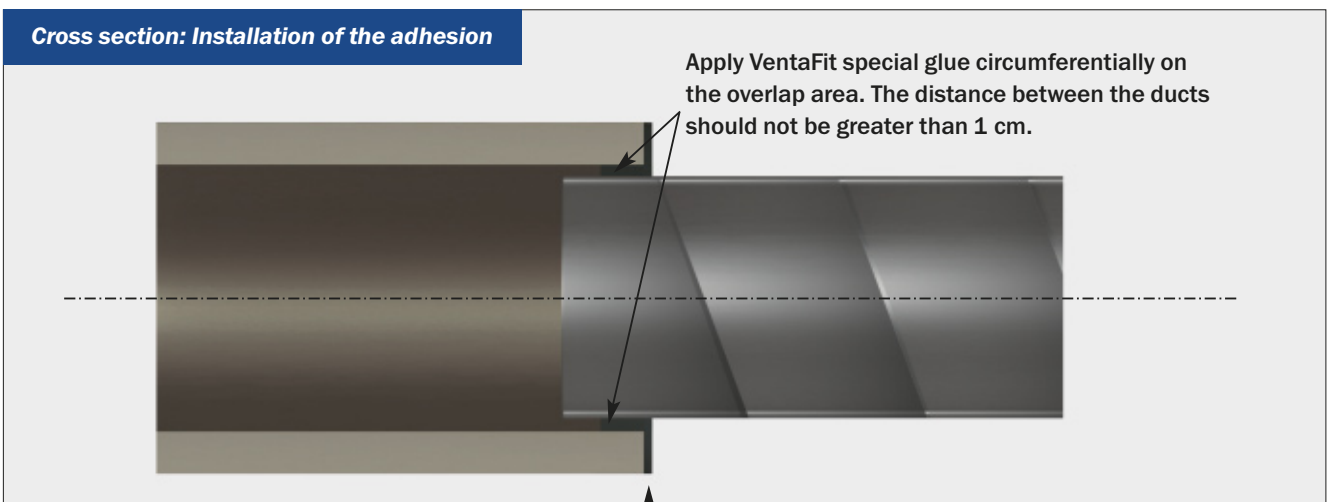
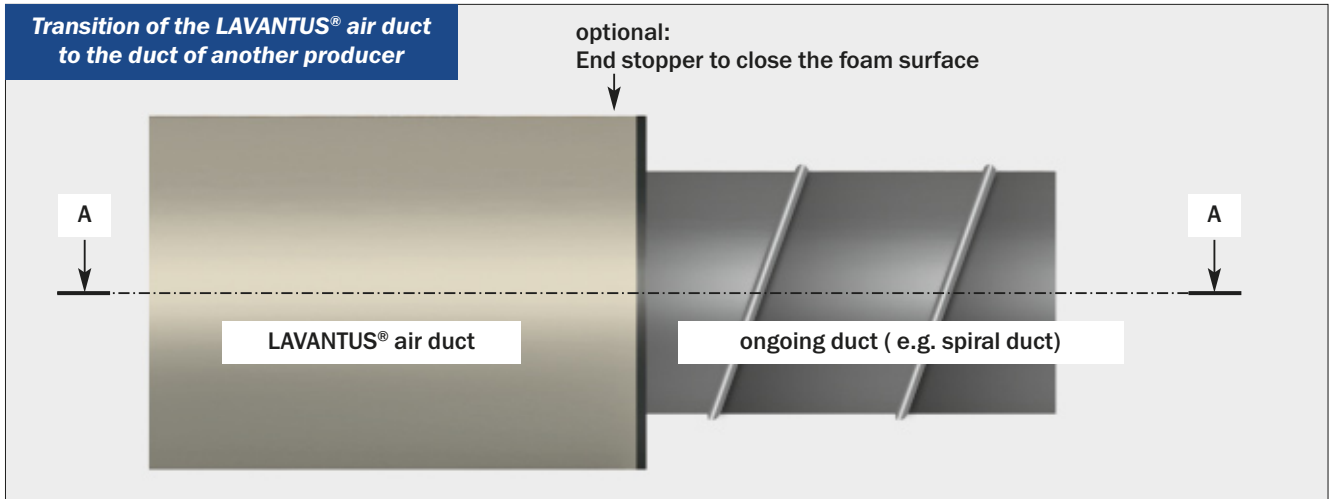


Die Montageanleitungen sind urheberrechtlich geschützt – © VENTAFLEX GmbH & Co. KG



Also suitable as a connection with transition to the correct dimension for the HVAC systems

**This transition is an installation inside the building**



Since the diameters of the ducts of other producers are very often similar to the ducts of the VENTAFLEX® system, absolutely tight connections can be produced uncomplicatedly.  
An connecting ring – if requested – makes an optically clean completion.



This transition is an installation inside the building