

1

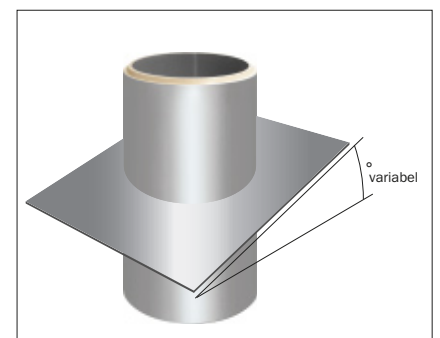
Make roof cut-out

2

Place VENTAFLEX Classic roof duct centered on the opening of the roof membrane, push it through the opening and connect it with the roof membrane generously.

3

Connect the duct segments as shown (see „Installation VentaSnap + adhesion“).



If required VENTAFLEX® produces a roof duct according to the angle of the roof inclination