



# VENTAFLEX®

air duct Classic

for room · facade · roof



## VENTAFLEX®

More efficiency in air conduction

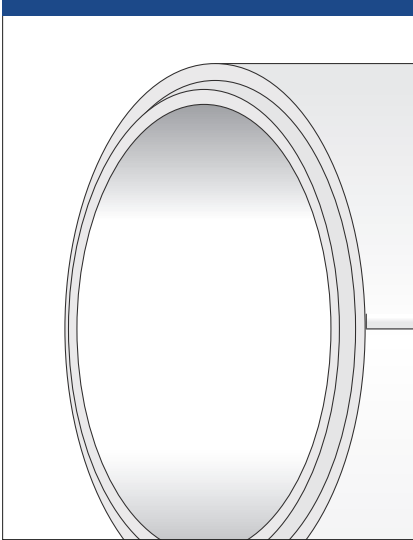
# INSTALLATION INSTRUCTION

## VENTAFLEX®

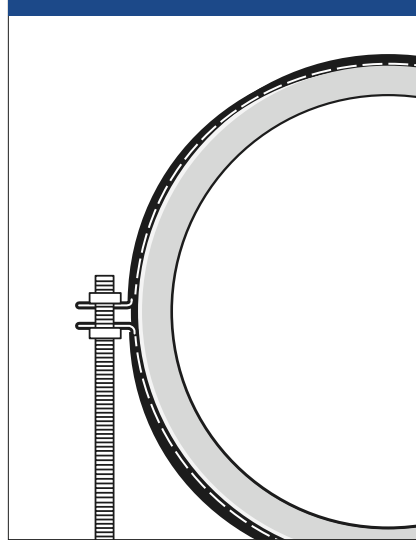
air duct Classic

for room · facade · roof

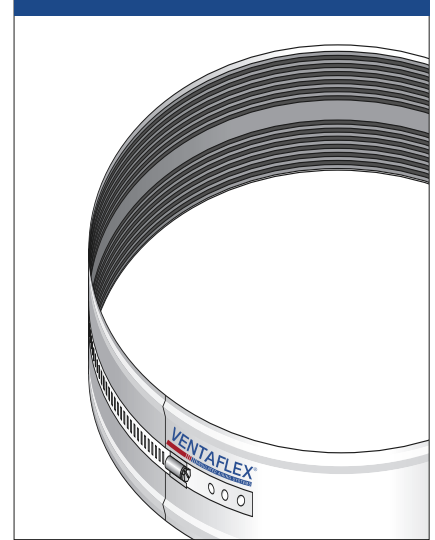
Air duct ø 200-1250 mm



VentaFix



VentaSnap, Supplies



## VENTAFLEX® AIR DUCT CLASSIC ROUND

### Responsibility

The installation instruction for VENTAFLEX® products are a non-binding recommendation which is not legally binding. They are based on construction data and installation experience.

An overall responsibility for the system on the part of VENTAFLEX® is not possible, because it solely develops, produces and delivers components and modules for the preparation of ventilation- and heating systems.

**Please read this installation instruction carefully before starting the installation and make sure that all necessary materials and tools are ready to be used.**

### Safety note

Installation work may only be done by skilled workers who have sufficient knowledge in

- safety regulations
- accident prevention regulations
- guidelines and recognized rules of the technology (e.g. VDE-provisions, DIN-standards)

because of their professional training, experience and instruction.

The skilled workers must

- be able to assess the assigned work, recognize possible dangers and avoid them
- be authorized to carry out the necessary work and action by those responsible for safety of the plant.

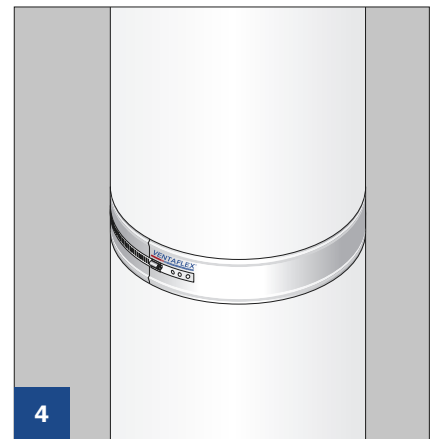
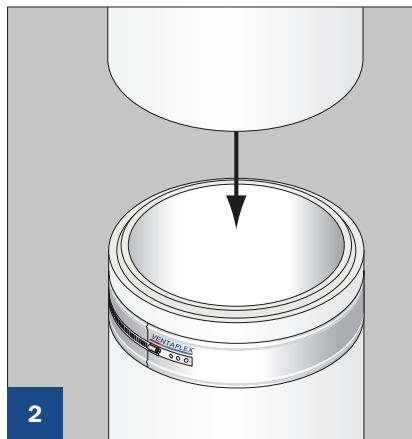
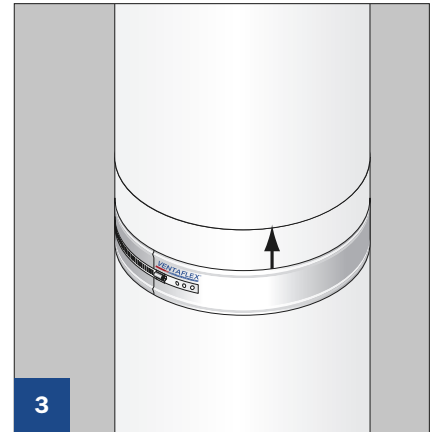
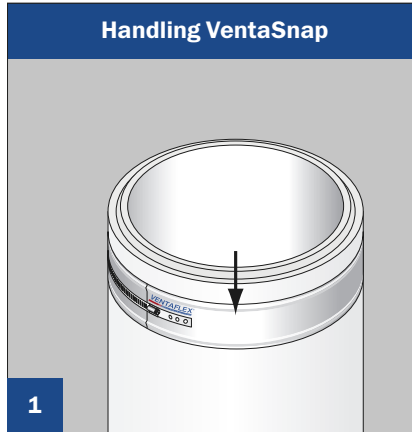
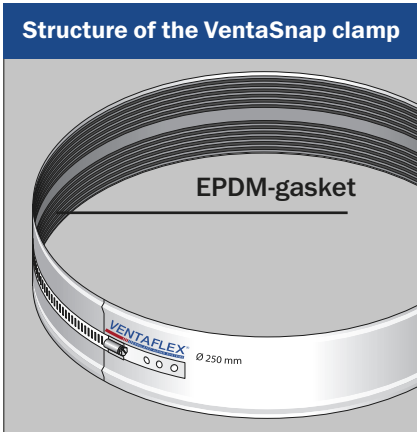
### Quick help

If you have any further questions regarding the installation or other VENTAFLEX® products, please contact our hotline or call us under **+49 (0) 25 05 - 93 829 -20**

We will now lead you through the installation step by step.

You find further generally valid information about the processing of VENTAFLEX® air ducts under [www.ventaflex.de](http://www.ventaflex.de)

Content	Page
VentaSnap	2.29
VentaSnap and glue	2.30
VentaFix	2.31
Roof duct	2.32
Length adjustment	2.33
Compensator	2.34
Transition duct systems	2.35



A VentaSnap clamp is pushed over the VENTAFLEX® air duct Classic. Put a second duct on top of the first one and adjust it so that groove and tongue are joined.

Pull the VentaSnap clamp centered over the connection and screw it together.

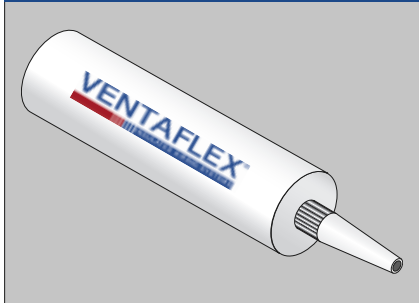
**The final step is a leak test.**

**Tip:**  
Soap can be used to make the pushing easier.

**We recommend considering when planning that VENTAFLEX® air duct Classic in components is available with a length of 3 m. This way unnecessary installation effort can possibly be avoided.**

Depending on the application area of the duct the sole use of the VentaSnap clamp is enough. However we generally recommend to combine the adhesion with the VentaSnap clamp. In the hygiene sector this is mandatory.

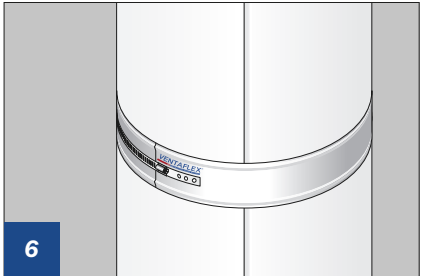
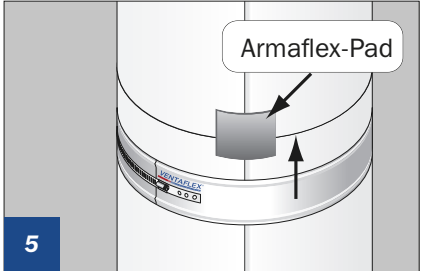
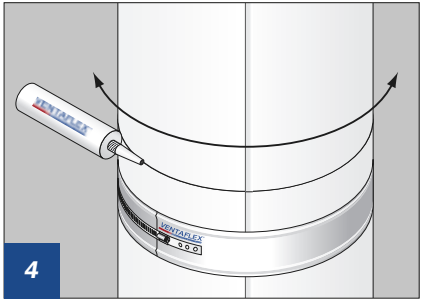
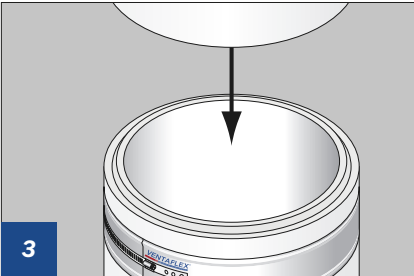
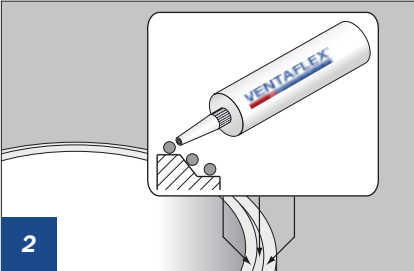
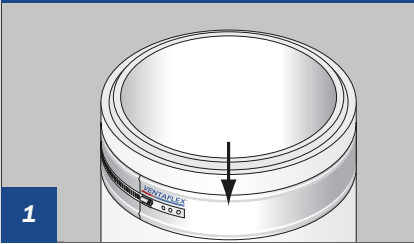
### Information about VentaFit



VentaFit is a special glue for PUR rigid foam. Ideal results are reached at a processing temperature of 5° C to 35° C. Skin building time is after approx. 30 min. Indications of quantity are found on the cartridge.

**Tip:**  
At low ambient temperature the flowability can be improved by placing the cartridges in a bucket of warm water before handling them or in heated room for storage.

### Handling of VentaSnap + glue



A VentaSnap clamp is pushed over the VENTAFLEX® air duct Classic.

Apply the glue circular in three rings. Attention must be paid that all adhesive- and seal surfaces must be freed from dust, grease and other deposits.

The second duct is put on top of the first one until groove and tongue are joined. Spread the glue with pressure by moving the ducts back and forth, subsequently seal the adhesive seam with glue from the outside.

Glue the enclosed Armaflex-Pad on the seam. Pull the VentaSnap clamp centered over the connection and pad and screw it together.

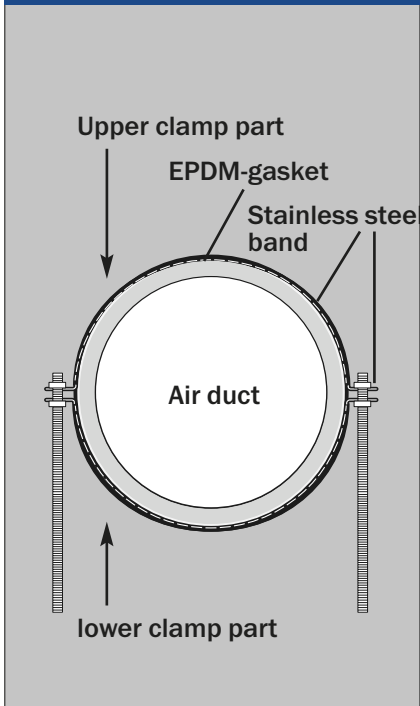
After 12 hours of setting time the glue is hardened.

After this process step we recommend doing a tightness test.

Upon request we additionally offer a tightness test for your special project with VENTAFLEX® air ducts Classic.

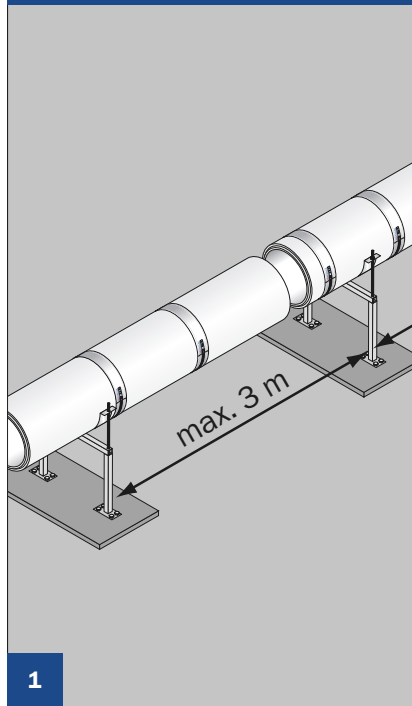
The installation instructions are protected by copyright – © VENTAFLEX GmbH & Co. KG

## Structure of the VentaFix clamp

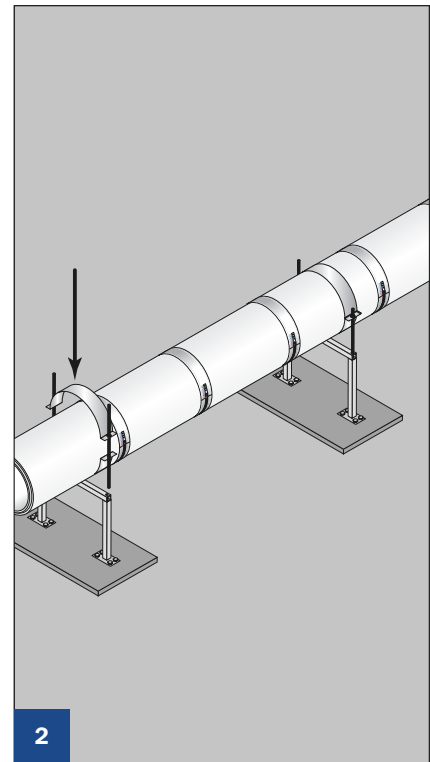


**Washed concrete slabs as foundation for the construction avoids the penetration of the roof membrane. We recommend individually reconciling a possible wind load.**

## Handling VentaFix

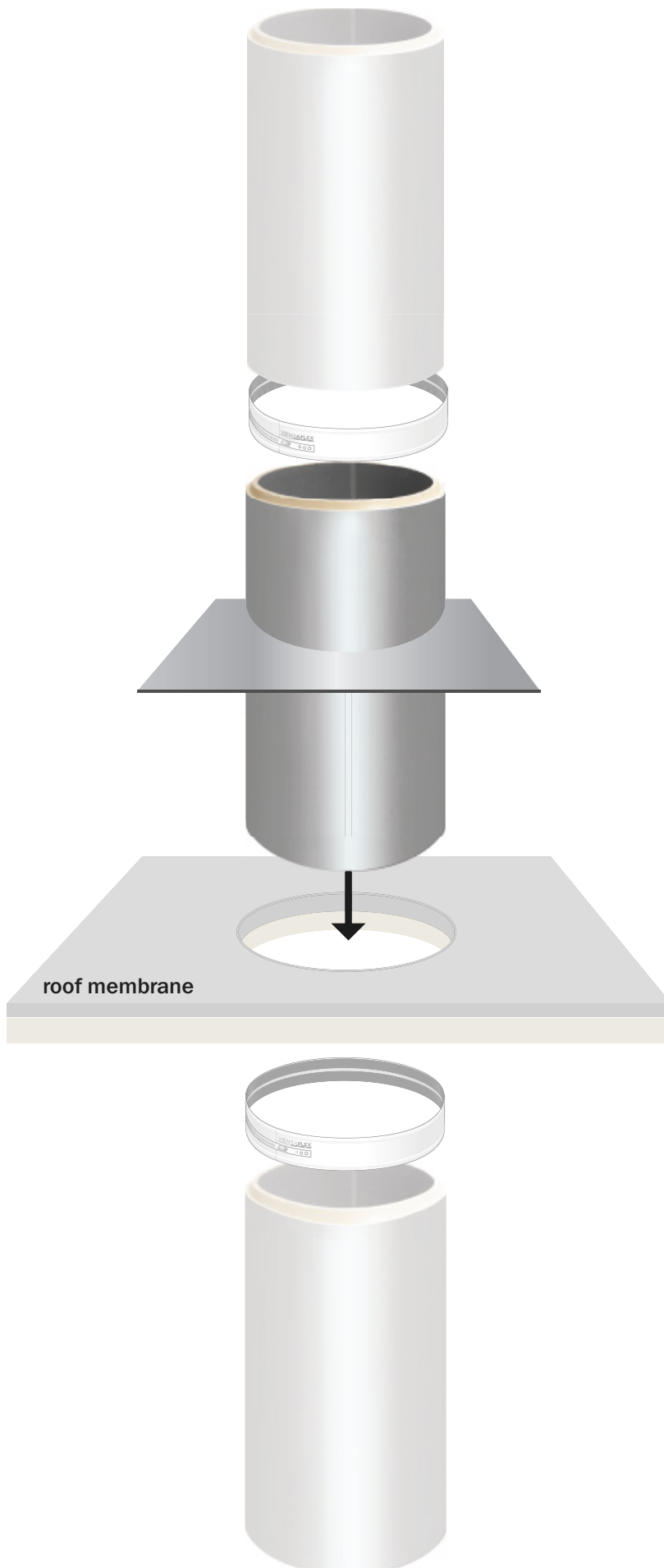


Put the components on the lower VentaFix clamp parts. After that connect the duct segments with a VentaSnap clamp as described.



Following that put down the upper VentaFix clamp and screw it together.

**The distance between two VentaFix clamps should not exceed 3 m.**



**1**

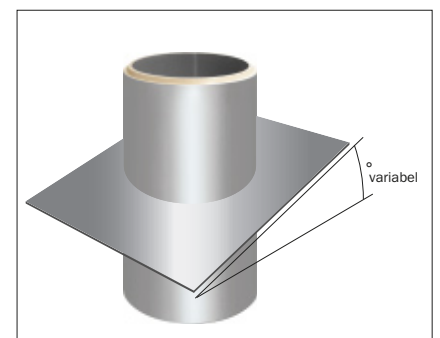
Make roof cut-out

**2**

Place VENTAFLEX Classic roof duct centered on the opening of the roof membrane, push it through the opening and connect it with the roof membrane generously.

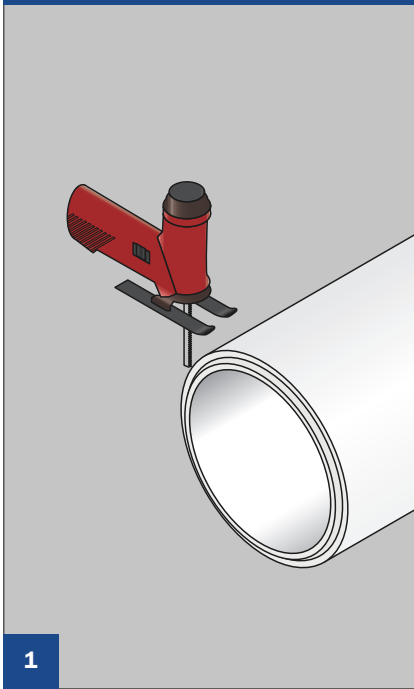
**3**

Connect the duct segments as shown (see „Installation VentaSnap + adhesion“).



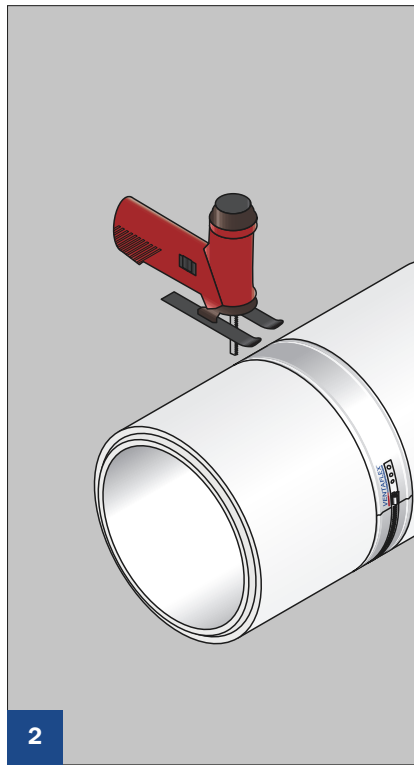
**If required VENTAFLEX® produces a roof duct according to the angle of the roof inclination**

## Generation of exact duct length

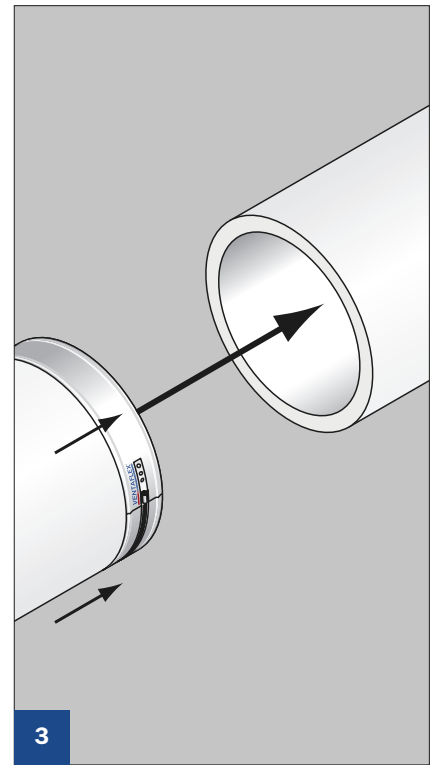


Remove groove or tongue at the connection point of the VENTAFLEX® air duct Classic..

**Tip:**  
We recommend to cut the VENTAFLEX® air duct Classic with a jigsaw with a metal saw blade.

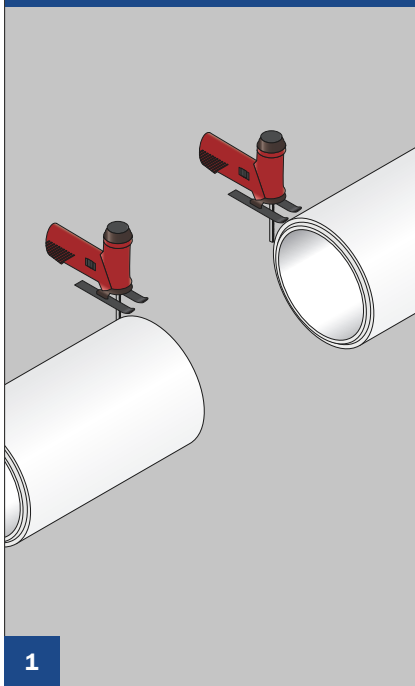


Push a VentaSnap clamp as a stop on the VENTAFLEX® air duct Classic which is to be shortened and tighten it slightly. After that shorten the VENTAFLEX® air duct Classic with the jigsaw.



Apply plenty of glue on the cutting point after shortening (see „Installation VentaSnap + adhesion“). Put both VENTAFLEX® air ducts Classic up to contact and spread the glue with pressure by moving the ducts back and forth. Finally pull the VentaSnap clamp centered over the connection and screw it together.

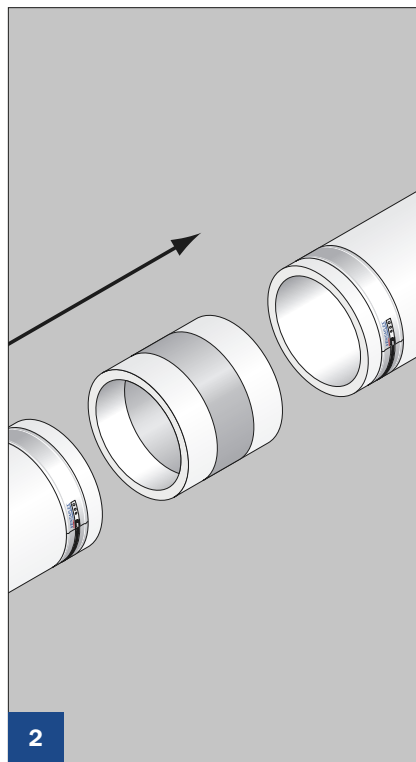
## Installation of a compensator for the expansion compensation



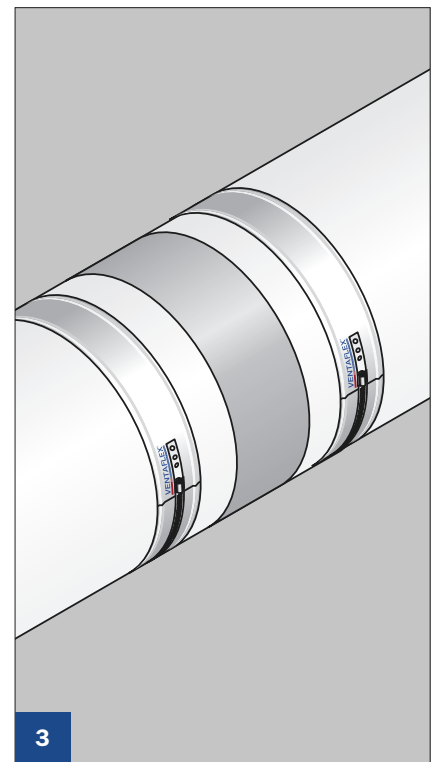
Remove groove or tongue at the connection point of the VENTAFLEX® air duct Classic with a jigsaw, between which the compensator should be inserted.

### Tip:

We recommend to cut the VENTAFLEX® air duct Classic with a jigsaw with a metal saw blade.



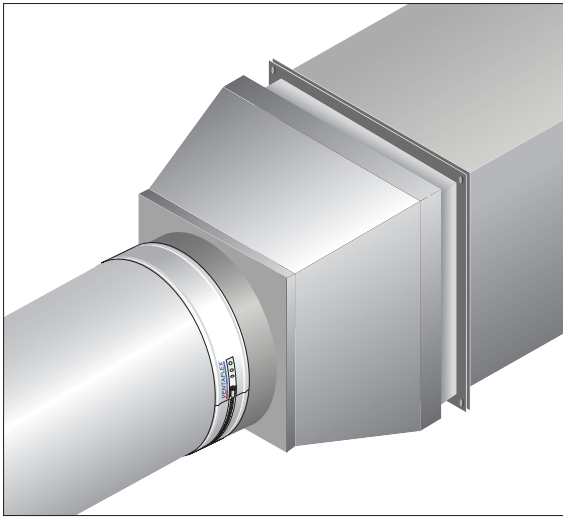
After pushing two VentaSnap clamps on the ends of the VENTAFLEX air ducts Classic, fit in the compensator between the two cutting points.



Apply plenty of glue on the cutting point after cutting (see „Installation VentaSnap + adhesion“). Put both VENTAFLEX® air ducts Classic up to contact and spread the glue with pressure by moving the ducts back and forth. Finally pull the VentaSnap clamps over the connecting joints and screw them together.

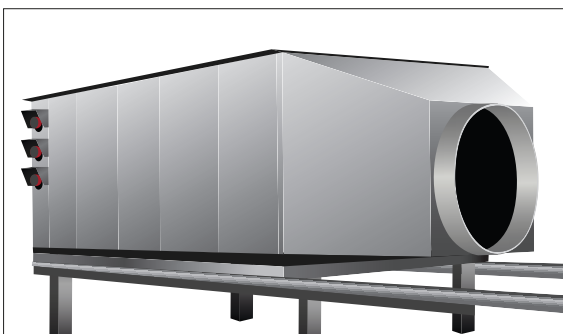
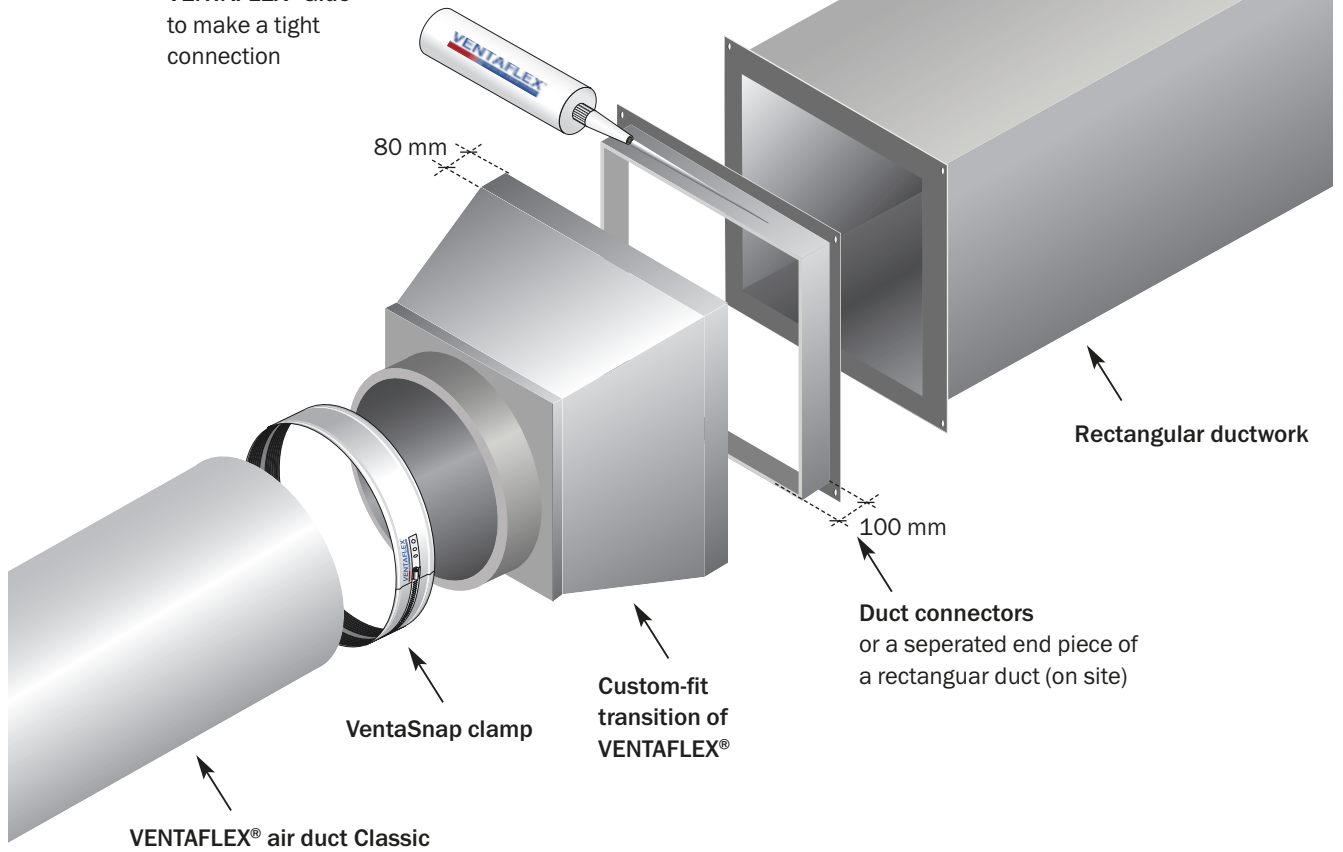
**For air ducts with a length of over 15 m it is necessary to install an expansion compensation.**





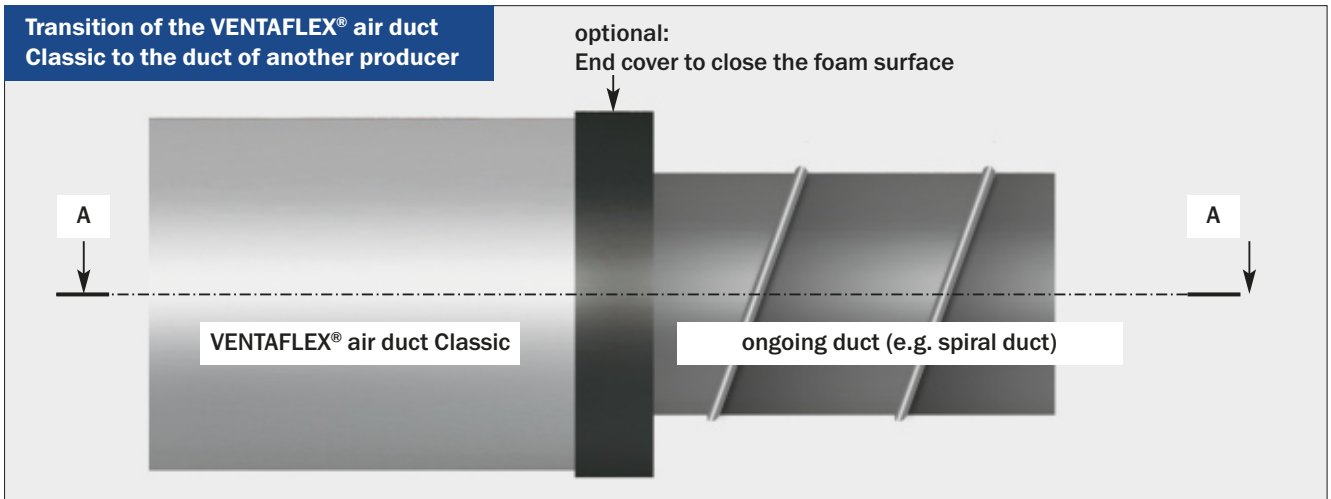
Installation of a tight connection between VENTAFLEX® air duct Classic and rectangular ductwork

Adhesion with VENTAFLEX® Glue to make a tight connection

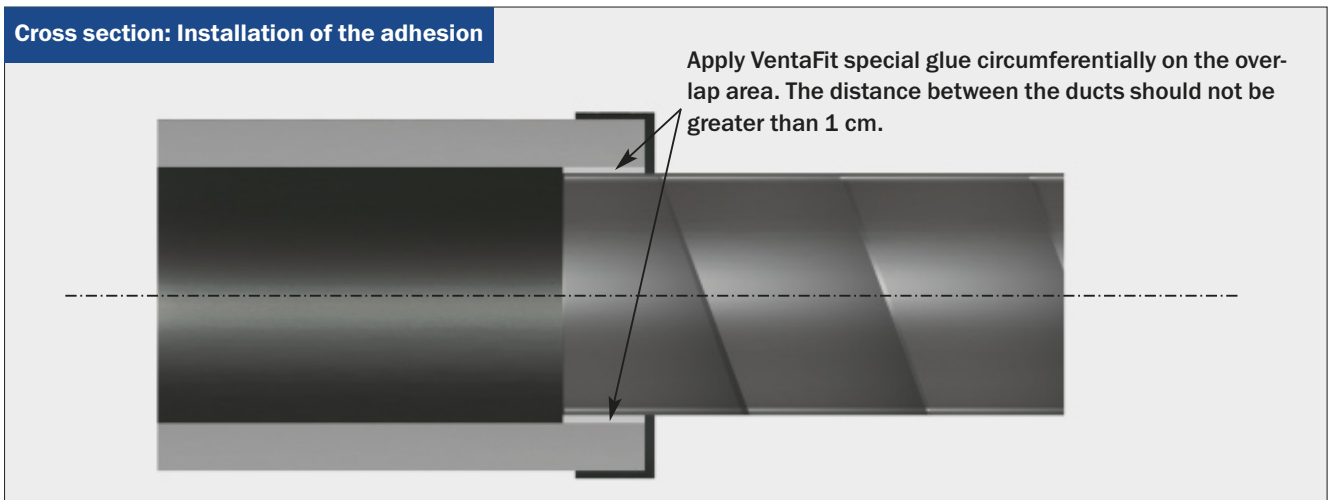


Also suitable as a connection with transition to the correct dimension for the HVAC systems

## Transition of the VENTAFLEX® air duct Classic to the duct of another producer



## Cross section: Installation of the adhesion



Since the diameters of the ducts of other producers are very often similar to the ducts of the VENTAFLEX® system, absolutely tight connections can be produced uncomplicated. A fitted cut-out end cover – if requested – makes an optically clean completion.

**VENTAFLEX GmbH & Co. KG**

Siemensstraße 46

D-48341 Altenberge

Fon +49 (0) 2505 – 938290

Fax +49 (0) 2505 – 93829 -10

info@ventaflex.de

www.ventaflex.de

